



SPECIFICATION FOR APPROVAL

Part name: EURO TERMINAL BLOCK

Part No.: JTB450-10-X-XX-X

Customer P/N:

Date: 2013-6-5

Seller Confirmation

Written by	He
Checked by	Fu
Approved by	Long

Customer Confirmation

Project Audit	
Structure Audit	
Security Certification	
Quality Approval	

Seller: JITE Industrial (Shenzhen) Co., Ltd.

**Address: JITE Industrial Park, Jiankeng Road, Jixia, Buji, Shenzhen
518114, China**

Tel: (86) 0755-84509088

Fax: (86) 0755-84509099

E-mail: sale@jite.com.cn

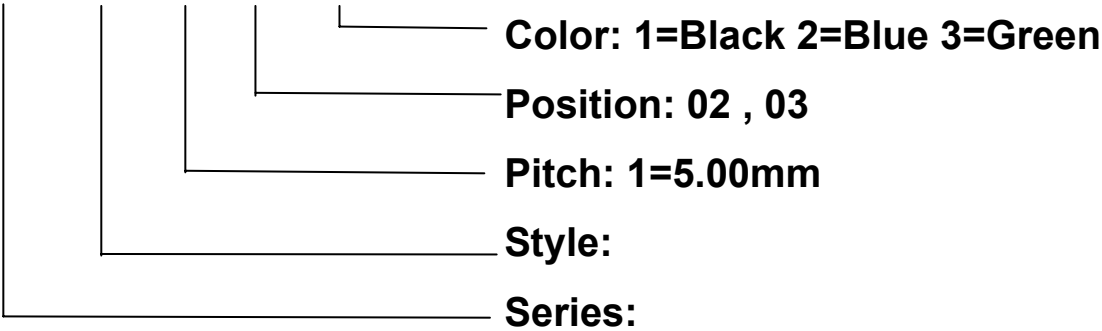
Customer:	Customer P/N:
Seller: JITE Industrial(Shenzhen)Co.,Ltd	Part No: JTB450-10-X-XX-X

Revision for JTB450-10-X-XX-X

Item No	Edition	Part Revised	Date Revised
1	A	put in file	2013-6-5
2			
3			

Coding principles:

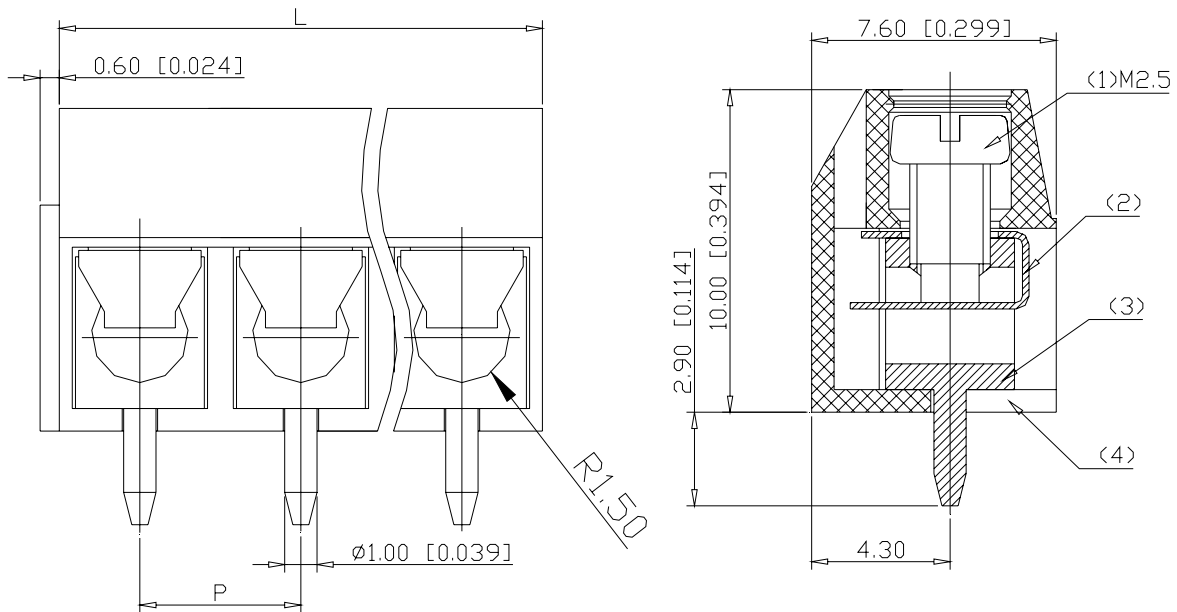
JTB450 - 10 - X - XX - X



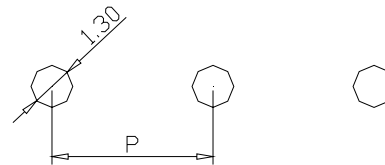
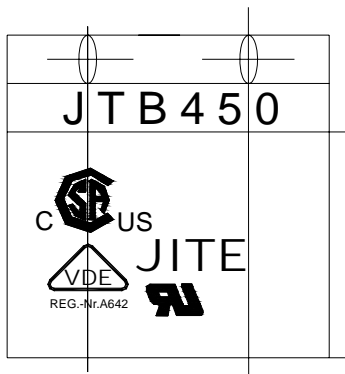
1.TYPE: JTB450-10-X-XX-X (Series photo)



2. DRAWING&SIZES



P = Center to Center Spacing
 = 5.00 (0.197)
 N = No. of positions
 L = P X N



OVERALL SIZES

PCB HOLE

TOLERANCE:

> 120	±0.80
> 30 ~ 120	±0.50
> 6 ~ 30	±0.40
0 ~ 6	±0.25

3. BOM TABLE

ITEM.NO	PART NAME	MATERIAL	SURFACE OF CONTACT	QUANTIT Y(PCS)
(1)	SCREW	Steel C1018(M2.5)	Zinc Plated 5um	N

(2)	CONTACT	Bronze QSn6.5-0.1	Ni Plated 2um	N
(3)	BLOCK	Brass H59	Tin Plated 5um	N
(4)	HOUSING	PA66 (UL94 V-0)	/	1

4 .TECHNICAL DATA:

PITCH: 5.00 mm

WIRE RANGE: 14~24AWG

MAX.TORQUE: 3.5 lbf.in

ELECTRICAL RATING: 300V 15A

DIELECTRIC WITHSTANDING: AC2500, 1 minute

BREAKDOWN VOLTAGE: 4000V

INSULATION RESISTANCE: DC500V , 500MΩ

5 . WORKING CONDITION:

OPERATING TEMPERATURE : -40℃ ~+105℃

POLLUTION DEGREE : III

6 . APPLICABLE TANDARDS:

IEC 998-1

IEC 68-2-6

IEC 68-2-11

IEC 998-2-1

IEC 68-2-20

IEC 947

IEC 999

IEC 947-7-1

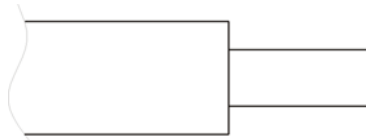
UL 486E

UL 1059

CSA22.2 158-1987

7. PROCEDURE:

This type of terminal blocks is connected with PCB by solder. If wave solder is applied in this procedure, the solder speed should be 260℃/5s twice and if manual solder is applied, the speed should be 350℃/10s. The connection way is as following.



8. PACKAGE

Tightly sealed