



SPECIFICATION FOR APPROVAL

Part name: EURO TERMINAL BLOCK

Part No.: JTB450-04-X-XX-X-M10

Customer P/N:

Date: 2012-04-1

Seller Confirmation

Written by	Li
Checked by	Fu
Approved by	Long

Customer Confirmation

Project Audit	
Structure Audit	
Security Certification	
Quality Approval	

Seller: JITE Industrial (Shenzhen) Co., Ltd.

**Address: JITE Industrial Park, Jiankeng Road, Jixia, Buji, Shenzhen
518114, China**

Tel: (86) 0755-84509088

Fax: (86) 0755-84509099

E-mail: sale@jite.com.cn

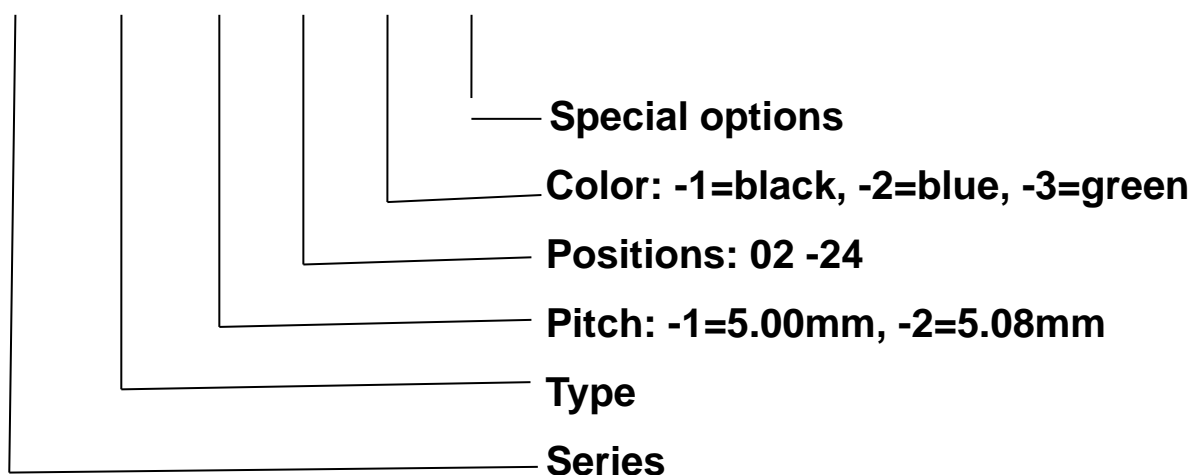
Customer:	Customer P/N:
Seller: JITE Industrial(Shenzhen)Co.,Ltd	Part No: JTB450-04-X-XX-X-M10

Revision for JTB450-04-X-XX-X-M10

Item No	Edition	Part Revised	Date Revised
1	A	put in file	2012-04-1
2			
3			

2、 Order format:

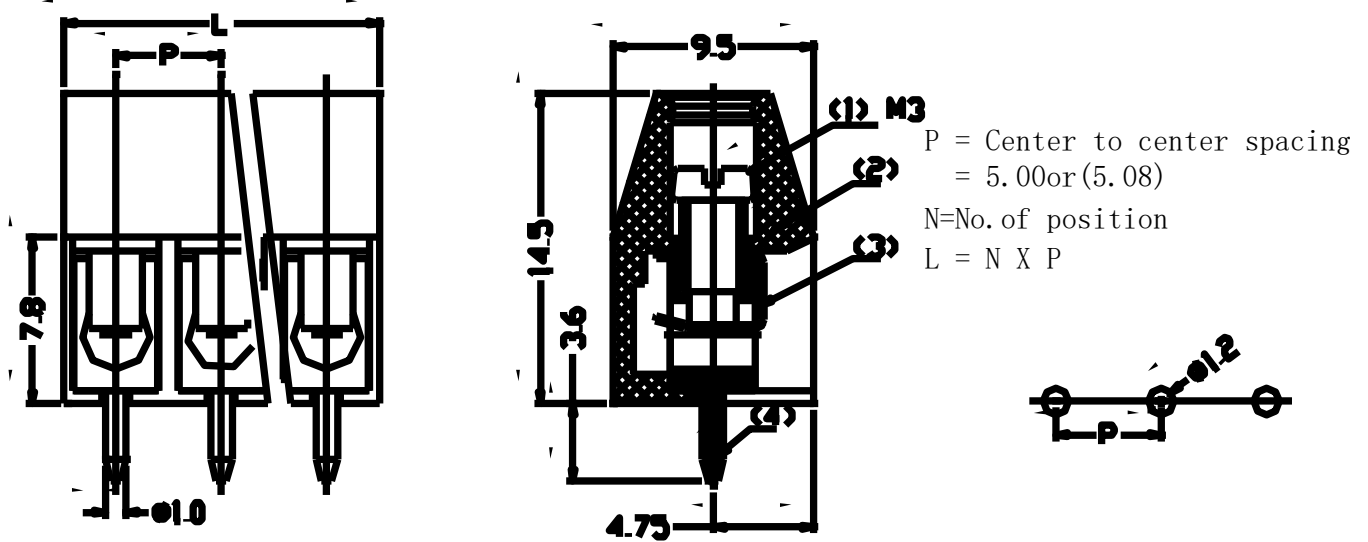
JTB450 - 04 - X - XX - X - M10



1.TYPE: JTB450-04-X-XX-X-M10



2.DRAWING&SIZES



OVERALL SIZES

TOLERANCE:

> 120	±0.80
> 30~120	±0.50
> 6~30	±0.40
0~6	±0.25

PCB HOLE DIMENSION

3.BOM TABLE

ITEM.	PART NAME	MATERIAL	SURFACE OF CONTACT	QUANTITY (PCS)
(1)	SCREW	Steel C1018	Zinc Plated 5um	N
(2)	BODY	PA66 UL94 V-0		1
(3)	CONTACT	Bronze QSn6.5-0.1	Ni Plated 3um	N
(4)	TERMINAL	Brass H59	Tin Plated 5um	N

4. WIRE ENTRANCE: Parallel to PCB

PITCH: 5.00mm OR 5.08mm

WIRE RANGE: 14-24AWG

5. TECHNICAL DATA:

MAX. TORQUE:	3 lbf.in
ELECTRICAL RATING:	300V, 15A
DIELECTRIC WITHSTAND:	2500V,1min
BREAKDOWN VOLTAGE:	4000V
INSULATION RESISTANCE:	DC500V, More than500MΩ

6. WORKING CONDITION:

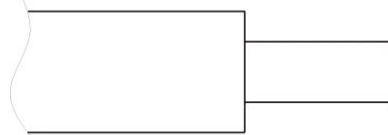
OPERATING TEMPERATURE:	-40°C~+105°C
ALTITUDE:	Less than 2000m 40Kpa~80KPa
RELATIVE HUMIDITY:	5%~95%
POLLUTION DEGREE:	Ⅲ

7. APPLICABLE STANDARDS

IEC 998-1	IEC 68-2-6	IEC 68-2-11	IEC 947-7-1
IEC 998-2-1	IEC 999	IEC 68-2-20	IEC 947
UL 1059	UL 486E	CSA22.2 158-1987	

8. PROCEDURE

This type of terminal blocks is connected with PCB by solder. If wave solder is applied in this procedure, the solder speed should be 260°C/5s twice and if manual solder is applied, the speed should be 350°C/10s. The connection way is as following.



9. PACKAGE

Tightly Sealed